

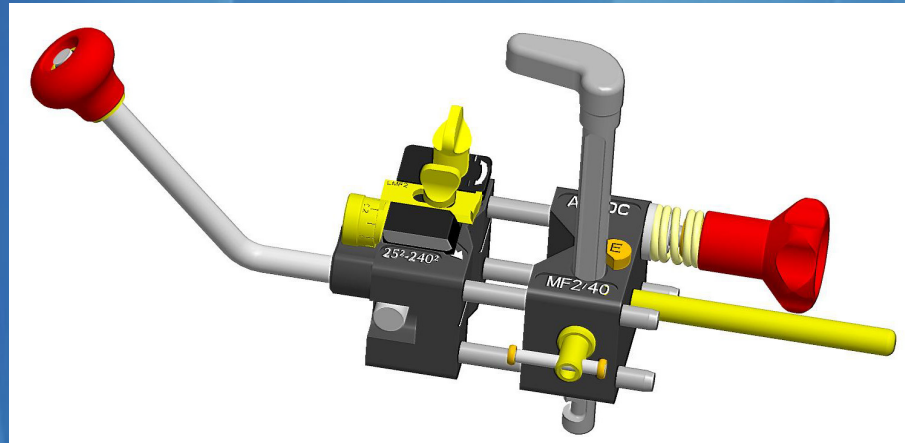


MV - MULTIFUNCTION MF2/40 - MF2/60

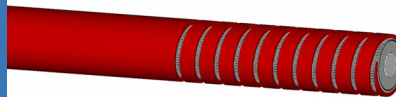
M
F
2/

MF2/40

MF2/60



Outer sheath



Insulation



FUNCTIONS

Adjustable multifunction tool which allows to perform on cables PE PVC and PR outer sheath and insulation an helicoidal and regular cutting at the required length.

CHARACTERISTICS

☞ Compatibility with cables 3-226, UTE C 33-223, NFC 33-223, HN 33 S 23

Model	MF2/40	MF2/60
Diameter	16 - 40 mm	16 - 58 mm
Sections	25 ² - 240 ²	25 ² - 630 ²
Length	150 mm	170 mm
Width	80 mm	90 mm
Height	100 mm	120 mm
Weight	1,240 Kg	1,400 Kg

H.V. TEST (PTY) LTD

3 Gaiety Ave, Robindale, Randburg, South Africa, 2010
P.O. Box 651287, Benmore, 2010

Tel: +27(11) 782 1010 Fax: +27(11) 782 2770

Email: sales@hvtest.co.za

Website: www.hvtest.co.za